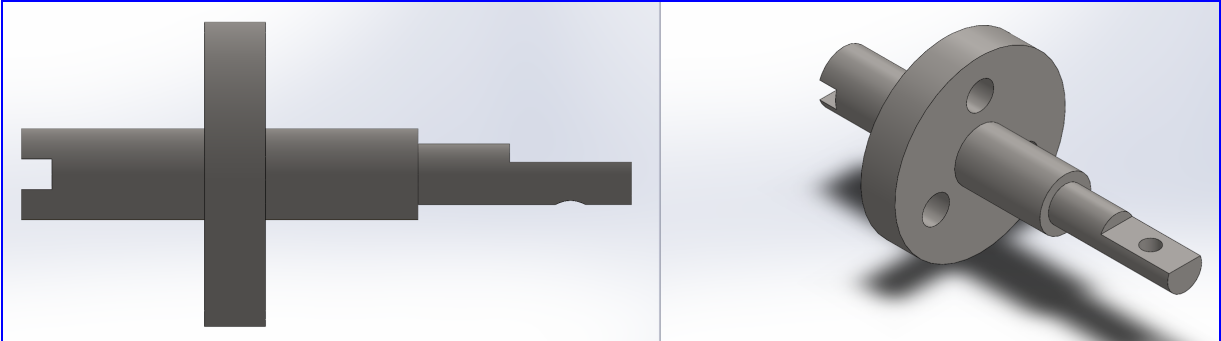
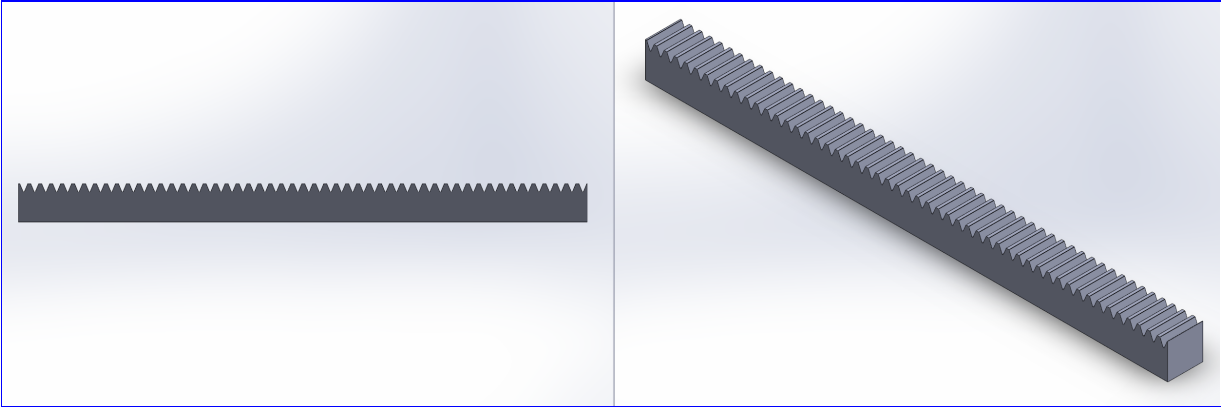


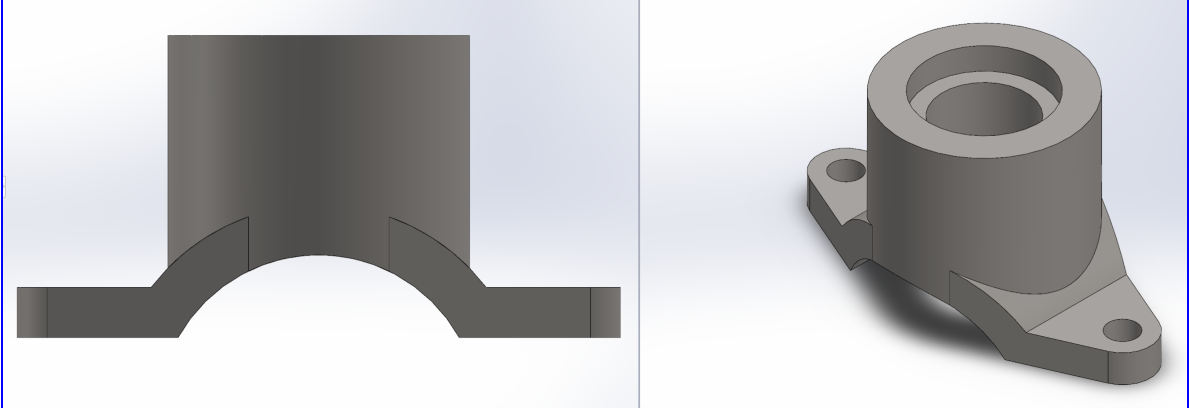
Part 1:



Part 2:



Part 3:



Part 4:

The surface area that needs to be coated is 218.4 in<sup>2</sup>.

